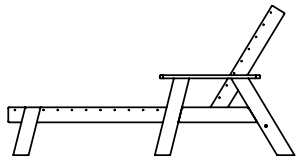




Assembly Instructions
Model: AC2678-1

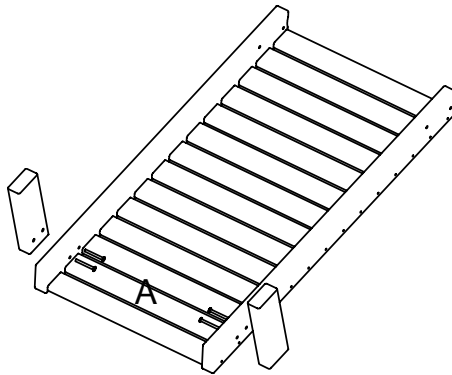
- (2) Sideframes
- (1) Back
- (1) Metal brace
- (1) Seat
- (2) Front legs
- (1) Brace
- (1) Hardware pack



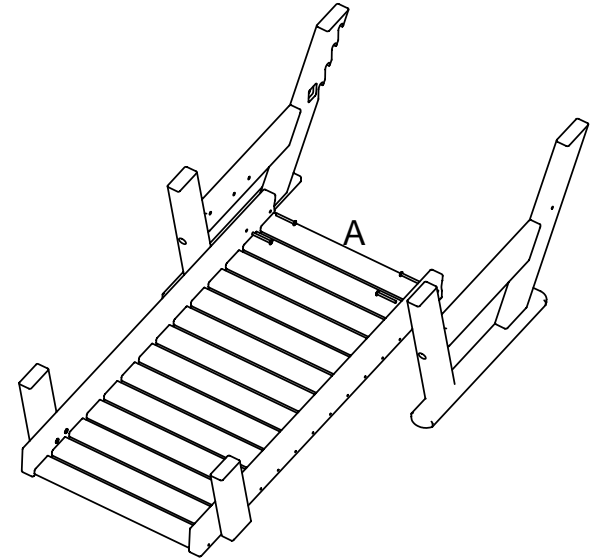
TOOLS NEEDED

5/32" HEX KEY: INCLUDED

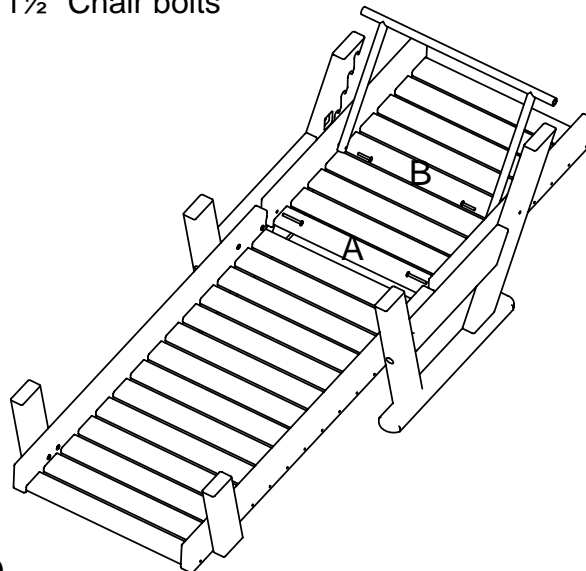
Step 1
 Attach Front legs to Seat assembly using
 (4) 2¼" Chair bolts



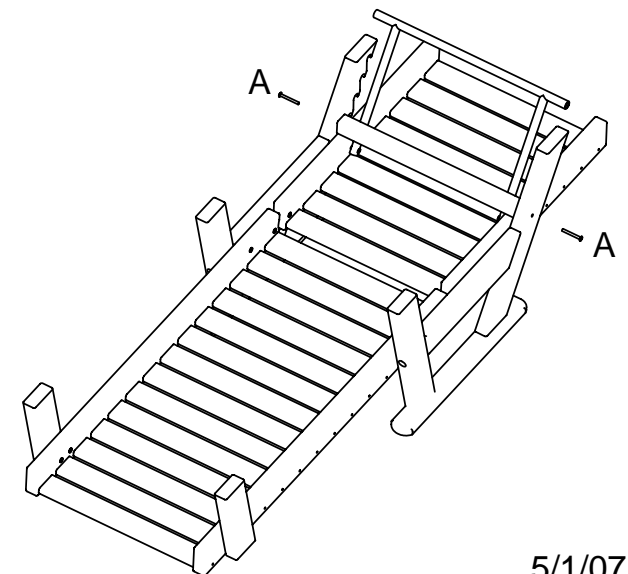
Step 2
 Attach Sideframes to Seat assembly using
 (4) 2¼" Chair bolts



Step 3
 Attach Back assembly to sideframes using
 (2) 2¼" Chair bolts
 Attach Metal brace to Back assembly using
 (2) 1½" Chair bolts



Step 4
 Attach brace to sideframes using
 (2) 2¼" Chair bolts



Qty.	Description
12	A - 2¼" Chair Bolt
2	B - 1½" Chair Bolt

All bolts 1/4-20