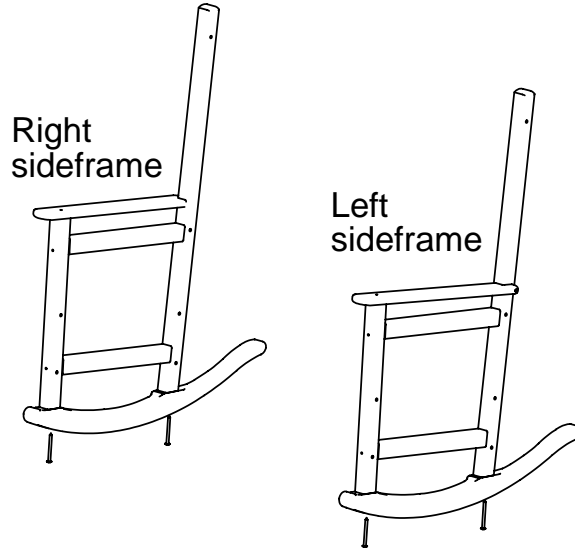




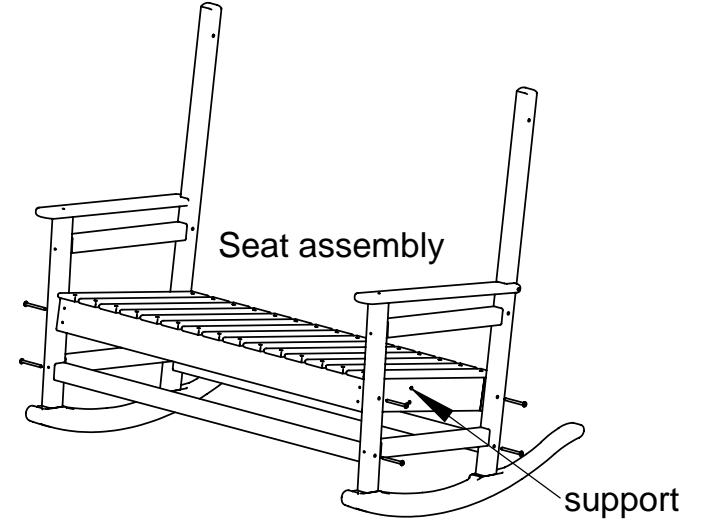
Assembly Instructions  
Model:TDR, TWDR

- (1) Seat assembly
- (1) Back assembly
- (2) Sideframes
- (2) Braces
- (2) Rocker bottoms
- (2) Finials \*TWDR ONLY\*
- (1) Hardware pack

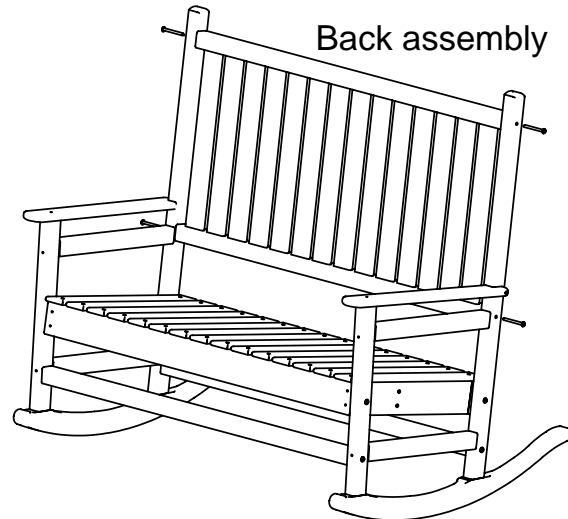
**Step 1**  
Attach rocker bottoms to sideframes  
using (4) 3" chair screws



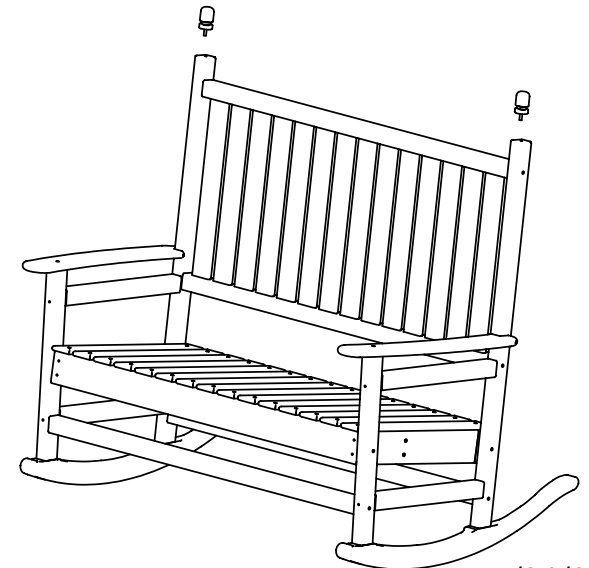
**Step 2**  
Attach seat assembly to sideframes  
using (4) 3" chair screws -Keep support to the front  
Attach braces to sideframes  
using (4) 3" chair screws



**Step 3**  
Attach back assembly to sideframes  
using (4) 3" chair screws  
-Keep side with pin nails to the back



**Step 4 \*TWDR ONLY\***  
Attach finials on top of sideframes



**TOOLS NEEDED**

5/32" HEX KEY: INCLUDED

Qty.	Description
16	A - 3" Chair screw