



## Assembly Instructions

Model: TWST, BST

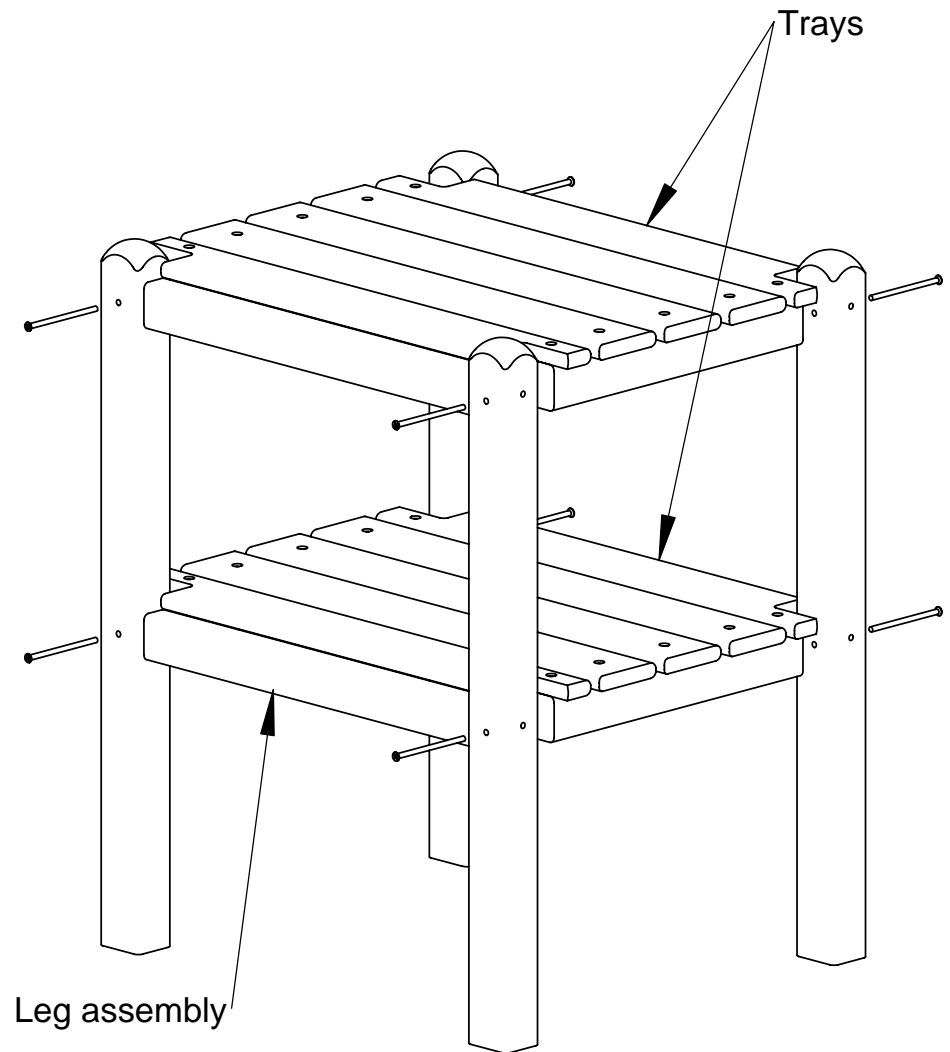
### Step 1

Attach the top and bottom tray to the leg assemblies using (8) 8x3 screws

- (2) Trays
- (2) Leg assembly
- (1) Hardware pack

### TOOLS NEEDED

Phillips head screwdriver  
A screw gun is required



Qty.	Description
8	A - 8 x 3 Screw

7/12/07