



# Assembly Instructions

## Model: ADREC

### Step 1

Unfold the Seat assembly (FIG.1)

### Step 2

Attach the front legs to the seat assembly using (4) 2 1/4" bolts, washers and nuts.

### Step 3

Attach the Arms using (4) 2 1/4" bolts washers and nuts.

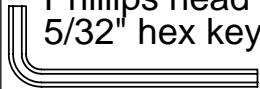
### Step 4

Attach the Back assembly using (2) 1 1/2" bolts, washers and nuts.

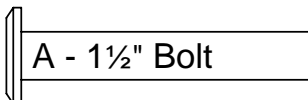
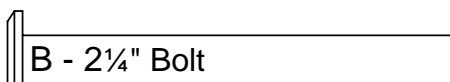
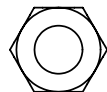
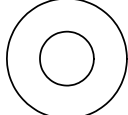
- \_\_\_ 1 Front leg assembly
- \_\_\_ 2 Arms
- \_\_\_ 1 Seat
- \_\_\_ 1 Back
- \_\_\_ 1 Hardware pack

### TOOLS NEEDED

7/16" Wrench  
Phillips head screw driver or  
5/32" hex key

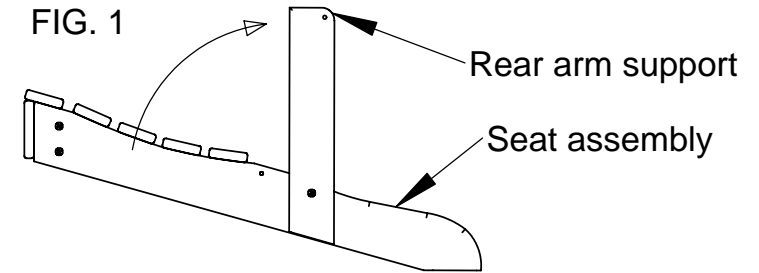


Qty.	Description
------	-------------

2	 A - 1 1/2" Bolt
8	 B - 2 1/4" Bolt
8	 1/4-20 Lock Nut
8	 1/4" Washer

All bolts are 1/4-20

FIG. 1



Back assembly

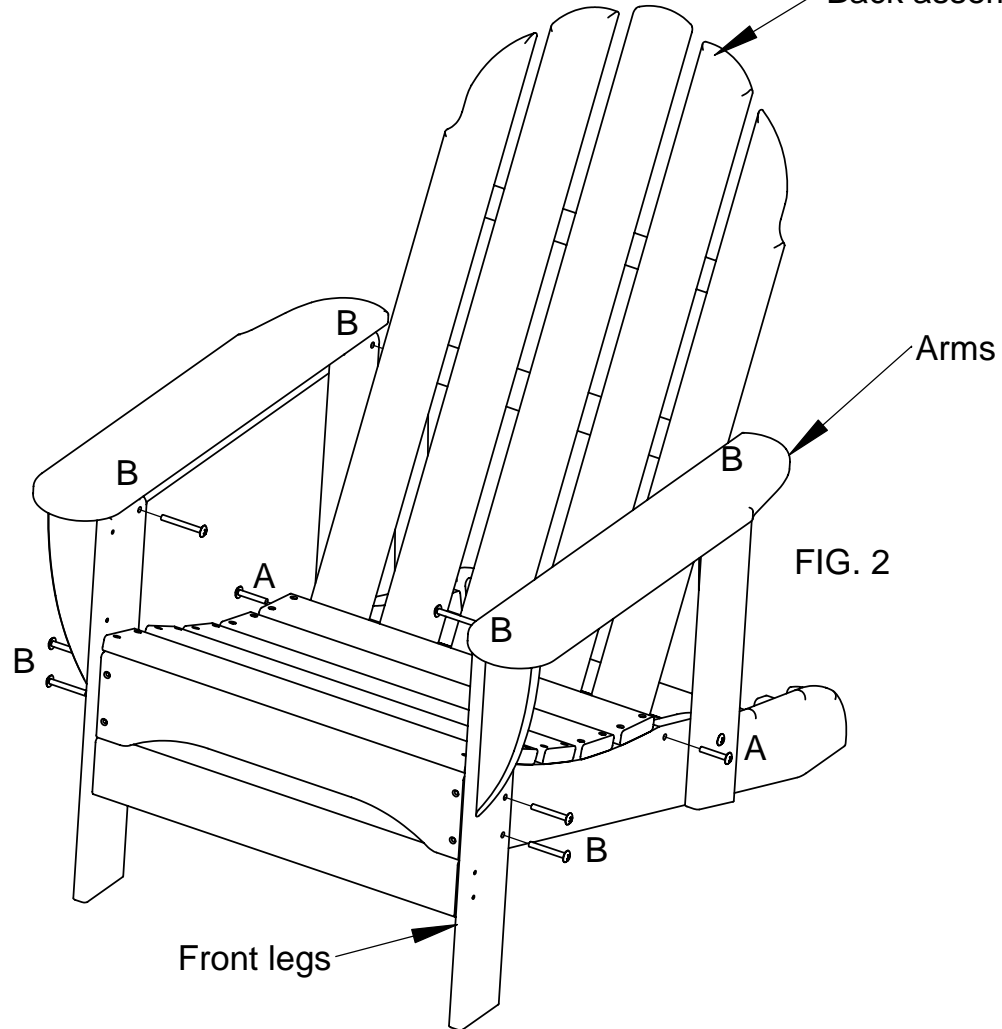


FIG. 2