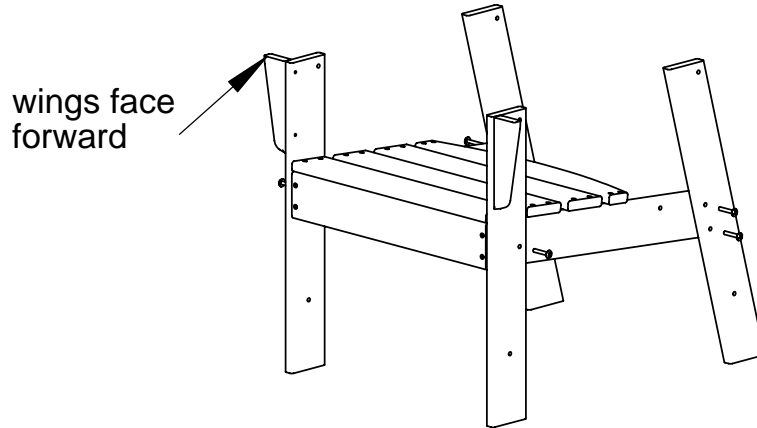


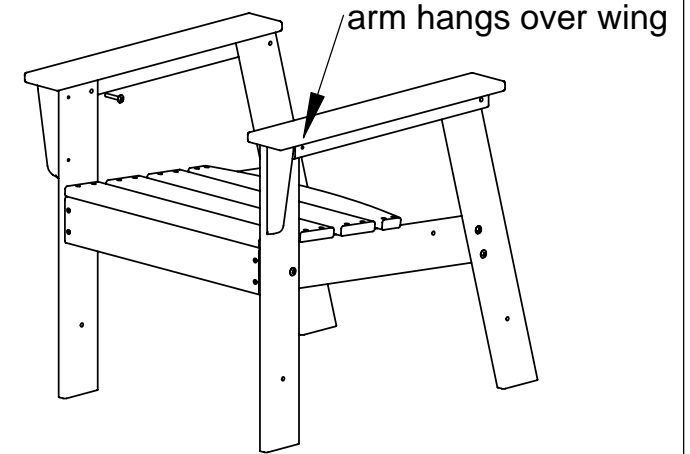


Assembly Instructions
Model: SBD16

Step 1
 Lay seat on its side.
 Attach front leg and back leg
 to seat. Now flip seat around and
 do the other side. Uses (6) 1½" screws

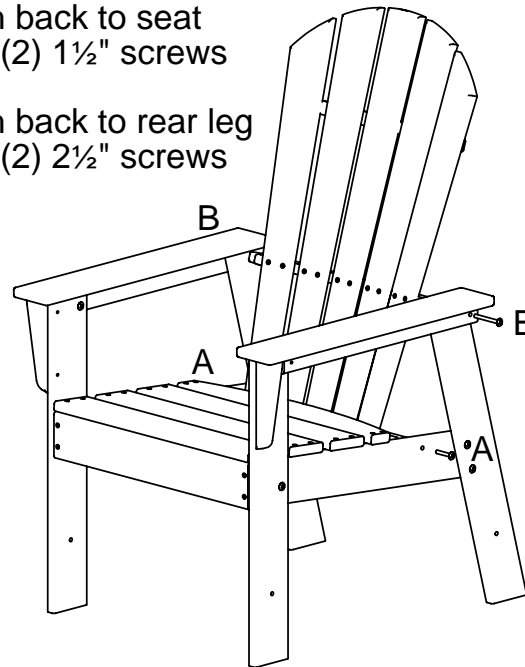


Step 2
 Attach arms to front leg using
 (2) 1½" screws

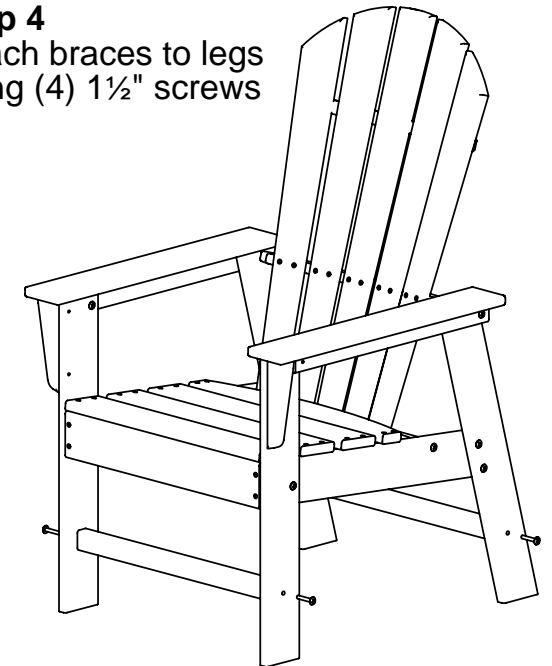


- (1) Seat
- (1) Back
- (2) Front legs
- (2) Back legs
- (2) Arms
- (2) Braces
- (1) Hardware pack

Step 3
 Attach back to seat
 using (2) 1½" screws
 Attach back to rear leg
 using (2) 2½" screws



Step 4
 Attach braces to legs
 using (4) 1½" screws



TOOLS NEEDED

Phillips head screwdriver

Qty.	Description
14	A - 14x1½" Screw
2	B - 14x2½" Screw

All screws are truss head type B

All hardware is SS