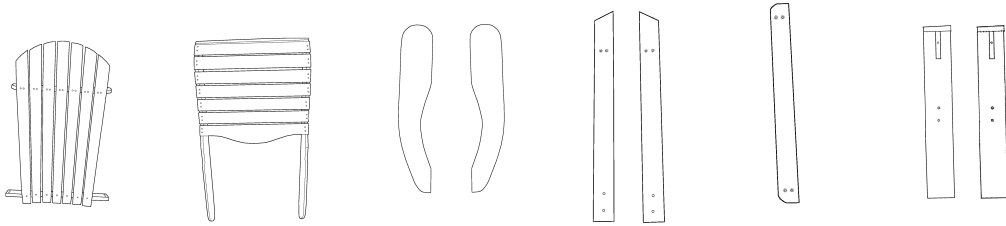


Assembly Instructions for Adirondack Chair

Tools needed for assembly: Philips head screwdriver Cordless Drill, Wrench and Allen key

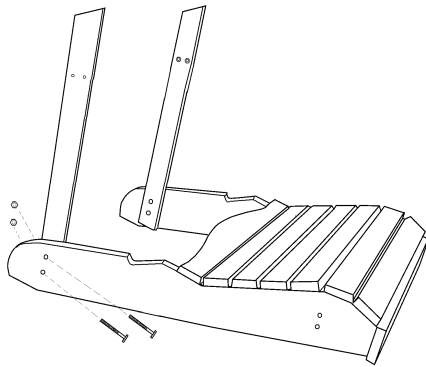
Components:



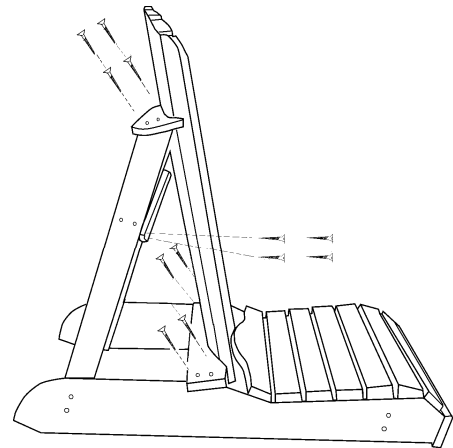
Hardwares:

bolts: 8
nuts: 8
screws: 24
allen key: 1

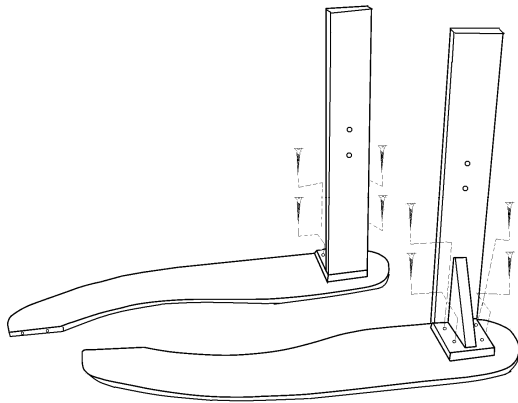
back assembly seat assembly left armrest back left leg back support front legs
right armrest back right leg



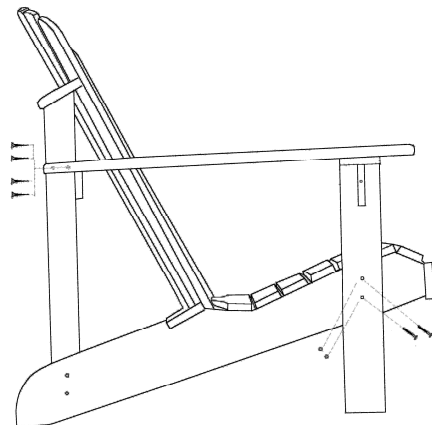
Step 1, attach left and right back legs (with countersink inwards) to seat with 4 bolts and 4 nuts.
Do not over tighten them.



Step 2, fit back to seat with 8 screws on upper back support and lower back support. Attach back support to back legs with 4 screws.



Step 3, attach front legs to armrests with 8 screws.



Step 4, attach front legs to seat with 4 bolts and 4 nuts. Fit armrest to back with 4 screws.

Go back over chair and tighten all screws and bolts
It may be necessary to tighten screws and bolts over the years