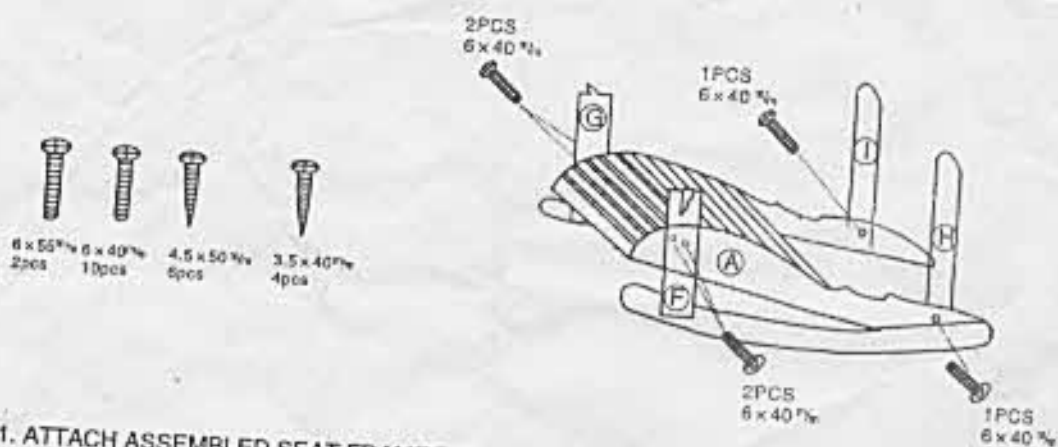
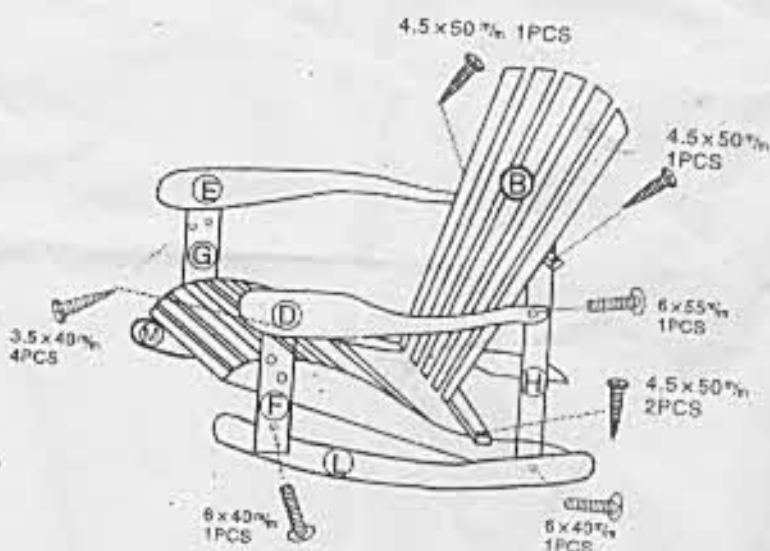


ASSEMBLY INSTRUCTION



STEP#1. ATTACH ASSEMBLED SEAT FRAME ② TO ① AND ③, USING 4 6 x 40th SCREWS.
 ATTACH ARMREST REAR SUPPORT ④ AND ⑤ TO ③ USING 2 6 x 40th SCREWS.



STEP#2. ATTACH ④ ⑤ TO THE ROCKER ① AND ③ BY USING 2 6 x 40th SCREWS.

STEP#3. ATTACH ARMREST FRONT SUPPORT ⑥ AND ⑦ TO THE ROCKER ① AND ③ USING 2 6 x 40th SCREWS.

STEP#4. ATTACH SEAT BACKFRAME ⑧ TO THE FRAME ④ USING 4 4.5 x 50th SCREWS.

STEP#5. ATTACH SEAT BACKFRAME ⑧ TO ④ AND ⑤ USING 2 4.5 x 50th SCREWS.

STEP#6. ATTACH ARMREST FRAME ⑩ AND ⑪ TO ⑥ AND ⑦ USING 4 3.5 x 40th SCREWS.

STEP#7. ATTACH ARMREST FRAME ⑩ AND ⑪ TO ④ AND ⑤ USING 2 6 x 55th SCREWS.

RE-TIGHTEN SCREWS FOR SNUG FIT.

NOW YOUR ADIRONDACK ROCKER IS READY FOR USE.