

STEP 3 Using 4 1-3/4" screws, attach the front leg cross member to the front legs.
Note that the beveled edge of the crossmember faces the top of the chair.

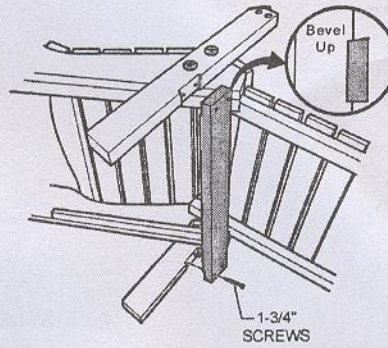


figure 3

STEP 4 With the seat base in the upright position attach the seat back and arm supports. Using the 2-1/2" bolts attach one arm support to the seat base. *Note the position of the washers.* Install a 2-1/8" bolt into the hole just above the arm support attaching bolts, and install a washer on the other end of the bolt into the large hole. Insert the dowel end of the seat back into the large hole in the arm support and tighten the bolt. Install the other arm support the same way.

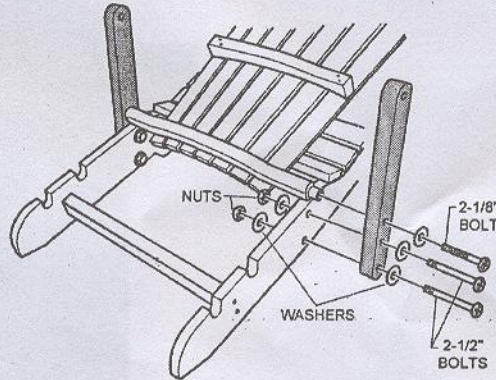


figure 4

STEP 5 Using the 1" screws, attach the seat back support brackets to the seat back.

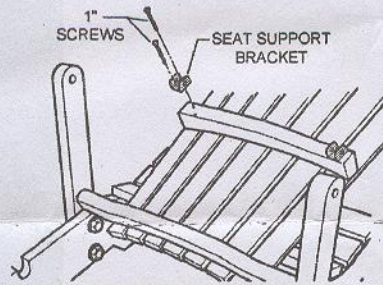


figure 5

STEP 6 Using the 1-3/8" bolts and washer head nuts, attach the seat back support to the support brackets.

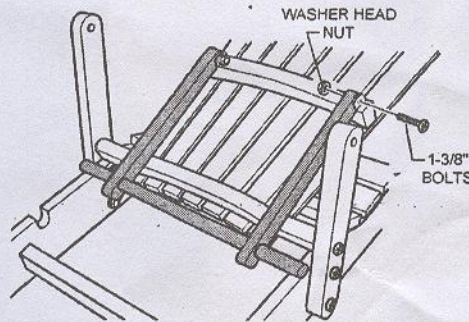


figure 6

STEP 7 Using the 3" bolts, washers and nuts, attach the arms to the chair assembly.
Note the position of the washers.
 Tighten all bolts securely. Your adirondack chair is now ready to use or apply the finish of your choice.

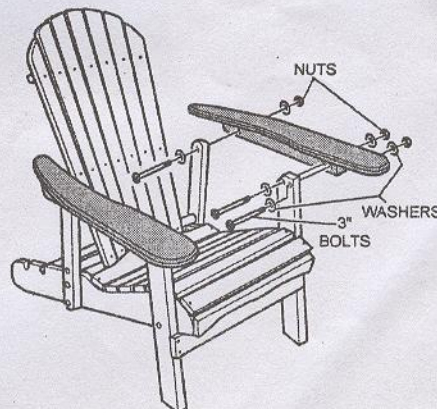


figure 7